



---

**Crescent P206 / P207 OEM Modules**  
**Integrator Guide**  
Part No. 875-0344-0 Rev. A1

---

This device complies with part 15 of the FCC Rules. Operation is subject to the following two conditions:

- (1) This device may not cause harmful interference, and
- (2) this device must accept any interference received, including interference that may cause undesired operation.

### Copyright Notice

Copyright Hemisphere GNSS, Inc. (2014). All rights reserved.

No part of this manual may be reproduced, transmitted, transcribed, stored in a retrieval system or translated into any language or computer language, in any form or by any means, electronic, mechanical, magnetic, optical, chemical, manual or otherwise, without the prior written permission of Hemisphere GNSS.

### Trademarks

Hemisphere GNSS®, the Hemisphere GNSS logo, COAST™, Crescent®, Eclipse™, e-Dif®, L-Dif™, miniEclipse™, PocketMAX PC™, PocketMAX™, PocketMax3™, S320™, SBX-4™, SureTrack®, Vector™, XF1™, and XF2™ are proprietary trademarks of Hemisphere GNSS, Inc. Other trademarks are the properties of their respective owners.

### Patents

Hemisphere GNSS products may be covered by one or more of the following patents:

<u>U.S. Patents</u>					<u>Australia Patents</u>
6111549	6876920	7400956	8000381	8214111	2002244539
6397147	7142956	7429952	8018376	8217833	2002325645
6469663	7162348	7437230	8085196	8265826	2004320401
6501346	7277792	7460942	8102325	8271194	
6539303	7292185	7689354	8138970	8307535	
6549091	7292186	7808428	8140223	8311696	
6711501	7373231	7835832	8174437	8334804	
6744404	7388539	7885745	8184050	RE41358	
6865465	7400294	7948769	8190337		

Other U.S. and foreign patents pending.

### Notice to Customers

Contact your local dealer for technical assistance. To find the authorized dealer near you:

Hemisphere GNSS, Inc.  
8444 N 90th St, Suite 120  
Scottsdale, AZ 85258 USA  
Phone: (480) 348-6380  
Fax: (480) 270-5070  
[precision@hemispheregnss.com](mailto:precision@hemispheregnss.com)  
[www.hemispheregnss.com](http://www.hemispheregnss.com)

### Technical Support

If you need to contact Hemisphere GNSS Technical Support:

Hemisphere GNSS, Inc.  
8444 N 90th St, Suite 120  
Scottsdale, AZ 85258 USA  
Phone: (480) 348-6380  
Fax: (480) 270-5070  
[techsupport@hemispheregnss.com](mailto:techsupport@hemispheregnss.com)

### Documentation Feedback

Hemisphere GNSS is committed to the quality and continuous improvement of our products and services. We urge you to provide Hemisphere GNSS with any feedback regarding this guide by writing to the following email address: [techsupport@hemispheregnss.com](mailto:techsupport@hemispheregnss.com).



---

## Contents

---

<b>Chapter 1</b>	<b>Introduction</b> .....	<b>1</b>
	Crescent OEM Board Options .....	2
	What's Included .....	3
	Crescent Integration .....	3
	Common Features of Crescent Boards .....	3
	Message Interface .....	4
	Using PocketMax to Communicate with the Crescent .....	4
<b>Chapter 2</b>	<b>Board Overview</b> .....	<b>5</b>
	Crescent OEM Board Key Features .....	6
	Mechanical Layout .....	7
	Connectors .....	9
	Mounting Options .....	10
	Direct Electrical Connection Method .....	10
	Indirect Electrical Connection (Cable) Method .....	10
	Header Layouts and Pinouts .....	11
	Crescent 34-Pin Header Layout/Pinout .....	12
	Crescent 20-Pin Header Layout/Pinout .....	14
	Signals .....	15
	RF Input .....	15
	Serial Ports .....	15
	Communication Port D .....	15
	USB Ports .....	15
	LED Indicators .....	18
	1PPS Timing Signal .....	18
	Event Marker Input .....	18
	Grounds .....	18
	Speed Radar Output .....	19
	Shielding .....	20
	Receiver Mounting .....	20
	Thermal Concerns .....	20
<b>Chapter 3</b>	<b>Operation</b> .....	<b>21</b>
	Powering the Crescent .....	22
	Communicating with the Crescent .....	22
	Configuring the Crescent .....	22
	Firmware .....	23
	Configuring the Data Message Output .....	23
	'THIS' Port and the 'OTHER' Port .....	23

	Saving the Crescent Configuration .....	24
	Using Port D for RTCM Input .....	24
	Configuration Defaults .....	24
<b>Appendix A</b>	<b>Frequently Asked Questions .....</b>	<b>25</b>
	Integration .....	26
	Support and Repair .....	27
	Power, Communication, and Configuration .....	28
	GNSS Reception and Performance .....	29
	SBAS Reception and Performance .....	30
	External Corrections .....	31
	Installation .....	31
<b>Appendix B</b>	<b>Troubleshooting .....</b>	<b>33</b>
<b>Appendix C</b>	<b>Technical Specifications .....</b>	<b>37</b>
	P206 Specifications .....	38
	P207 Specifications .....	40
<b>Index</b> .....		<b>43</b>
<b>End User License Agreement</b> .....		<b>45</b>
<b>Warranty Notice</b> .....		<b>48</b>

## **Chapter 1: Introduction**

Crescent OEM Board Options

What's Included

Crescent Integration

Common Features of Crescent Boards

Message Interface

Using PocketMax to Communicate with the Crescent

This manual does not cover receiver operation, the PocketMax™ utility, or commands and messages (NMEA 0183, NMEA2000® or HGPS proprietary). For information on these subjects refer to the Hemisphere GNSS Technical Reference (go to [www.hemispheregnss.com](http://www.hemispheregnss.com) and follow the links to Resources, GPS Reference Guide).

## Crescent OEM Board Options

The Crescent™ OEM board is available in two form factors as shown in Table 1-1.

**Table 1-1: Crescent board options**

Model	GNSS Systems	Compatibility	L-Band Support
P206™	L1/L2 GPS, GLONASS and BEIDOU	Hemisphere GNSS' standard pinout configuration (34-pin)	Yes - with optional Hemisphere GNSS LX-2 OEM board
P207™	L1/L2 GPS, GLONASS and BEIDOU	Compatible with popular aftermarket products (20-pin)	No

*Note: This manual covers Crescent P206 and P207 OEM boards. When referring to both boards this manual uses the term Crescent. When referring to either Crescent model this manual uses the model name (P206 or P207).*

## What's Included

The Crescent is available in two configurations:

- Crescent OEM board only - designed for integrators who are familiar with Crescent board integration
- Crescent OEM board and Universal Development Kit - designed for integrators who are new to Crescent board integration

The Universal Development Kit is designed to work with various Hemisphere GNSS OEM boards and includes an enclosure with carrier board, adapter boards, and various cables.

For more information on the Universal Development Kit visit [www.hemispheregns.com](http://www.hemispheregns.com) and navigate to the OEM Products page or contact your local dealer.

## Crescent Integration

Successful integration of the Crescent within a system requires electronics expertise that includes:

- Power supply design
- Serial port level translation
- Reasonable radio frequency competency
- An understanding of electromagnetic compatibility
- Circuit design and layout

The Crescent GNSS engine is a low-level module intended for custom integration with the following general integration requirements:

- Regulated power supply input (3.3 VDC  $\pm$  3%) and 420 mA continuous
- Low-level serial port (3.3 V CMOS) and/or USB port communications
- Radio frequency (RF) input to the engine from a GNSS antenna is required to be actively amplified (10 to 40 dB gain)
- GPS antenna is powered with a separate regulated voltage source up to 15 VDC maximum
- Antenna input impedance is 50  $\Omega$

## Common Features of Crescent Boards

Common features of Crescent boards include:

- 372-channel GNSS engine
- Sub-meter horizontal accuracy 95%
- Raw measurement output (via documented binary messages)
- Position and heading update rates of 20 Hz max
- COAST™ technology that provides consistent performance with correction data
- e-Dif®-ready - a base station-free way of differentially positioning



- L-Dif™ -ready – Local differential is a proprietary Hemisphere GNSS method where a specialized set of messages are relayed between two Crescent receivers
- Quick times to first fix
- Four full-duplex serial ports
- USB ports
  - USB device port only (P207)
  - USB host and USB device ports (P206)
- 1 PPS timing output
- Event marker input

*Note: For complete specifications of Crescent boards see Appendix C, “Technical Specifications.”*

## Message Interface

The Crescent uses a NMEA 0183 interface, allowing you to easily make configuration changes by sending text-type commands to the receiver.

The Crescent also supports a selection of binary messages. There is a wider array of information available through the binary messages, plus binary messages are inherently more efficient with data. If the application has a requirement for raw measurement data, this information is available only in a binary format.

For more information on NMEA 0183 commands and messages as well as binary messages refer to the Hemisphere GNSS Technical Reference (go to [www.hemispheregnss.com](http://www.hemispheregnss.com) and follow the links to Resources, GPS Reference Guide).

## Using PocketMax to Communicate with the Crescent

Hemisphere’s PocketMax is a free utility program that runs on your Windows PC or Windows mobile device. Simply connect your Windows device to the Crescent via the COM port and open PocketMax. The screens within PocketMax allow you to easily interface with the Crescent to:

- Select the internal SBAS, external beacon, or RTCM correction source and monitor reception (beacon optional)
- Configure GNSS message output and port settings
- Record various types of data
- Monitor the Crescent’s status and function

PocketMax is available for download from the Hemisphere GNSS website ([www.hemispheregnss.com](http://www.hemispheregnss.com)).

## **Chapter 2: Board Overview**

Crescent OEM Board Key Features

Mechanical Layout

Connectors

Mounting Options

Header Layouts and Pinouts

Signals

Shielding

Receiver Mounting

Thermal Concerns

## Crescent OEM Board Key Features

With its small form factor, low power consumption, and simple on-board firmware Crescent is an ideal solution for integrators, offering scalability and expandability from L1 GPS with SBAS to L1 GPS, GLONASS and BeiDou (with RTK capability).



Crescent is offered in two common industry form factors:

- P206 is a drop-in replacements for Hemisphere GNSS' Crescent® and mini Eclipse receivers (34-pin) and provide L-band support with the optional Hemisphere GNSS LX-2™ OEM board
- P207 has a mechanical design compatible with popular after market products (20-pin)

The reliable positioning performance of Crescent is further enhanced through Crescent RTK and COAST DGPS technology.

With Crescent, RTK performance is scalable. Utilize the same centimeter-level accuracy in either L1 GPS-only mode, or employ the performance of all available L1 GPS, GLONASS and BeiDou GNSS signals. Hemisphere GNSS' SureTrack technology provides peace of mind knowing the RTK rover is making use of every satellite it is tracking. Benefit from fewer RTK dropouts in congested environments, faster reacquisition, and more robust solutions due to better cycle slip detection.

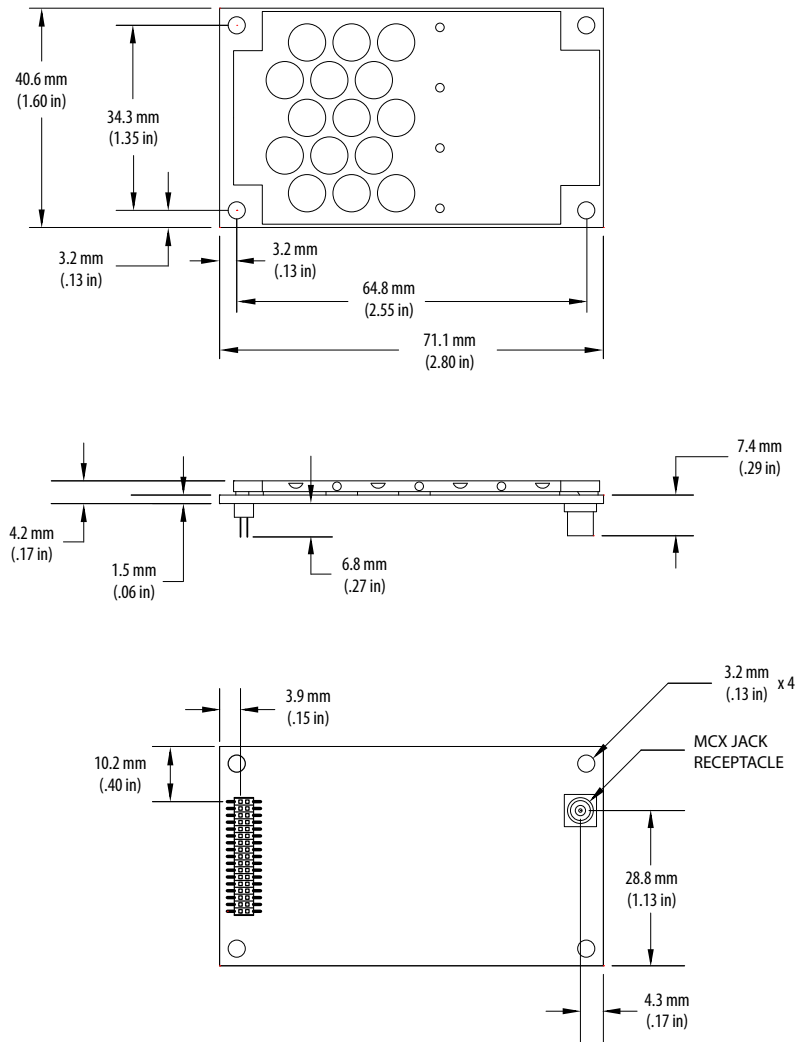
Patented COAST software enables select Hemisphere GNSS receivers to utilize aging DGPS correction data during times of interference, signal blockage, and weak signal. The receiver will coast and continue to maintain sub-meter positioning for 40 minutes or more without a DGPS signal.

## Mechanical Layout

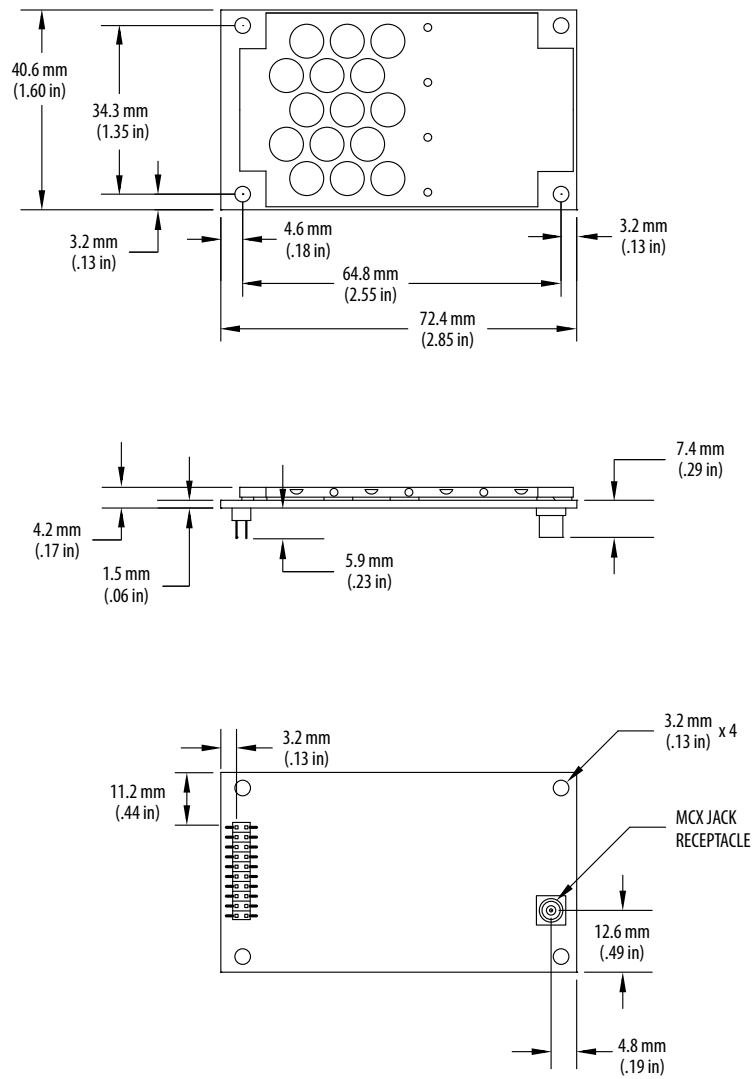
Figure 2-1 shows the mechanical layout for the Crescent P206 OEM board.

Figure 2-2 shows the mechanical layout for the Crescent P207 OEM board.

Dimensions are in millimeters (inches) for all three layouts.



**Figure 2-1: Crescent P206 mechanical layout**



**Figure 2-2: Crescent P207 mechanical layout**

## Connectors

Table 2-1 describes Crescent connectors and mating connectors. You can use different compatible connectors; however, the requirements may be different. The antenna input impedance is 50  $\Omega$ .

**Table 2-1: Crescent connectors**

Crescent Board and Connector Type		Crescent SMT Connector	Mating Connector
Crescent (P206)	RF	MCX, female straight jack Emerson (Johnson) 133-3711-202	MCX, male straight plug Samtec RSP-127824-01
	Power/ data	34-pin (17x2) male header, 0.05 in (1.27 mm) pitch Samtec FTSH-117-01-L-DV (older P200 boards) Samtec FTSH-117-04-L-DV	17x2 female SMT header socket, 0.05 in (1.27 mm) pitch Samtec FLE-117-01-G-DV
Crescent (P207)	RF	MCX, female straight jack Emerson (Johnson) 133-3711-202	MCX, male straight plug Samtec RSP-127824-01
	Power/ data	20-pin (10x2) male header, 0.08 in (2 mm) pitch Samtec TMM-110-01-T-D-SM	10x2 female SMT header socket, 0.08 in (2 mm) pitch Samtec TLE-110-01-G-DV
<i>Note: For the Samtec FTSH headers, '-04' indicates 0.150" posts.</i>			

## Mounting Options

There are two options for mounting the Crescent:

- Direct Electrical Connection method
- Indirect Electrical Connection (Cable) method

### Direct Electrical Connection Method

Place an RF connector, heading connector, and mounting holes on the carrier board and then mount the Crescent on the standoffs and RF and header connectors. This method is very cost effective as it does not use cable assemblies to interface the Crescent.

*Note: Be aware of the GPS RF signals present on the carrier board and ensure the correct standoff height to avoid any flexural stresses on the board when you fasten it down.*

The Crescent uses a standoff height of 7.9 mm (0.3125 in). With this height there should be no washers between either the standoff and the Crescent or the standoff and the carrier board; otherwise, you must make accommodations. You may need to change the standoff height if you select a different header connector.

If you want to use a right angle MCX connector, use a taller header than the Samtec part number suggested in this guide. This will provide clearance to have a right angle cable-mount connector and reduce the complexity by not having the carrier board handle the RF signals. See Table 2-1 on page 9 for Crescent connector information.

The mounting holes of the Crescent have a standard inner diameter of 3.2 mm (0.125 in).

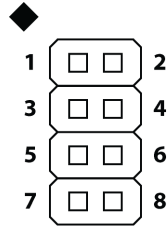
### Indirect Electrical Connection (Cable) Method

The second method is to mount the Crescent mechanically so you can connect a ribbon power/data cable to the Crescent. This requires cable assemblies and there is a reliability factor present with cable assemblies in addition to increased expense.

## Header Layouts and Pinouts

The Crescent uses a dual-row header connector to interface with power, communications, and other signals.

To identify the first header pin orient the board so the diamond is to the upper left of the pins; the first pin is on the left directly below the diamond (see Figure 2-3). The pins are then sequentially numbered per row from top to bottom.

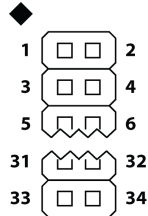


**Figure 2-3: Identifying the first pin on the header connector**



### Crescent 34-Pin Header Layout/Pinout

The P206 boards have a 34-pin header. Figure 2-4 shows the header layout and Table 2-2 provides the header pinout.



**Figure 2-4: Crescent 34-pin header layout**

**Table 2-2: Crescent 34-pin header pinout**

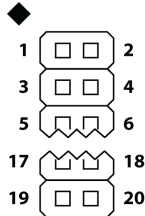
Pin	Name	Type	Description
1	3.3 V	Power	Receiver power supply, 3.3 V
2	3.3 V	Power	Receiver power supply, 3.3 V
3	Antenna Pwr	Power	Antenna power, DC, 15 V max
4	Batt Backup	Power	Power, 1.5 to 5.5 V, 500 nA typical
5	USB DEV+	I/O	USB device data +
6	USB DEV-	I/O	USB device data -
7	GND	Power	Receiver ground
8	GND	Power	Receiver ground
9	PATX	Output	Port A serial output, 3.3 V CMOS, idle high
10	PARX	Input	Port A serial input, 3.3 V CMOS, idle high
11	PBTX	Output	Port B serial output, 3.3 V CMOS, idle high
12	PBRX	Input	Port B serial input, 3.3 V CMOS, idle high
13	PDTX	Output	Port D serial output, 3.3 V CMOS, idle high
14	PDRX	Input	Port D serial input, 3.3 V CMOS, idle high
15	1 PPS	Output	Active high, rising edge, 3.3 V CMOS
16	Manual Mark	Input	Active low, falling edge, 3.3 V CMOS
17	GPS Lock	Output	Status indicator, 3.3 V CMOS, active low
18	Diff Lock	Output	Status indicator, 3.3 V CMOS, active low
19	DGPS Lock	Output	Status indicator, 3.3 V CMOS, active low
20	n/c	n/c	n/c
21	GPIO0	I/O	General purpose input/output
22	GPIO1	I/O	General purpose input/output
23	GPIO2	I/O	General purpose input/output

**Table 2-2: Crescent 34-pin header pinout (continued)**

Pin	Name	Type	Description
24	GPIO3	I/O	General purpose input/output
25	Speed Output	Output	0 - 3 V variable clock output
26	Speed Ready	Output	Active low, speed valid indicator, 3.3 V CMOS
27	GND	Power	Receiver ground
28	GND	Power	Receiver ground
29	n/c	n/c	n/c
30	n/c	n/c	n/c
31	PCTX	Output	Port C serial output, 3.3 V CMOS, idle high
32	PCRX	Input	Port C serial input, 3.3 V CMOS, idle high
33	L-Band Enable	Output	Reserved
34	Reset	Open collector	Reset, open collector, 3.3 V typical, not required
<p><i>Note:</i></p> <ul style="list-style-type: none"> <li>• Pins are not 5 V tolerant. The pin voltage range is 0 to 3.3 VDC, unless otherwise noted.</li> <li>• Leave any data or I/O pins that will not be used unconnected.</li> </ul>			

### Crescent 20-Pin Header Layout/Pinout

The P207 boards have a 20-pin header. Figure 2-5 shows the header layout and Table 2-3 provides the header pinout.



**Figure 2-5: Crescent 20-pin header layout**

**Table 2-3: Crescent 20-pin header pinout**

Pin	Name	Type	Description
1	Antenna Pwr	Power	Antenna power, DC, 15 V max
2	3.3 V	Power	Receiver power supply, 3.3 V
3	USB DEV-	I/O	USB device data -
4	USB DEV+	I/O	USB device data +
5	Reset	Open collector	Reset, open collector, 3.3 V typical, not required
6	PCRX	Input	Port C serial input, 3.3 V CMOS, idle high
7	PCTX	Output	Port C serial output, 3.3 V CMOS, idle high
8	PDRX	Input	Port D serial input, 3.3 V CMOS, idle high
9	PDTX	Output	Port D serial output, 3.3 V CMOS, idle high
10	GND	Power	Receiver ground
11	PATX	Output	Port A serial output, 3.3 V CMOS, idle high
12	PARX	Input	Port A serial input, 3.3 V CMOS, idle high
13	GND	Power	Receiver ground
14	PBTX	Output	Port B serial output, 3.3 V CMOS, idle high
15	PBRX	Input	Port B serial input, 3.3 V CMOS, idle high
16	GND	Power	Receiver ground
17	Manual Mark	Input	Active low, falling edge, 3.3 V CMOS
18	GND	Power	Receiver ground
19	1 PPS	Output	Active high, rising edge, 3.3 V CMOS
20	Position Valid Indicator	Output	Status indicator, 3.3 V CMOS, active low
<p><i>Note:</i></p> <ul style="list-style-type: none"> <li>• Pins are not 5 V tolerant. The pin voltage range is 0 to 3.3 VDC, unless otherwise noted.</li> <li>• Leave any data or I/O pins that will not be used unconnected.</li> </ul>			

## Signals

This section provides information on the signals available via connectors.

### RF Input

The Crescent is designed to work with active GNSS antennas with an LNA gain range of 10 to 40 dB. The purpose of the range is to accommodate for losses in the cable system. Essentially, there is a maximum cable loss budget of 30 dB for a 40 dB gain antenna. Depending on the chosen antenna, the loss budget will likely be lower (a 24 dB gain antenna would have a 14 dB loss budget).

When designing the internal and external cable assemblies and choosing the RF connectors, do not exceed the loss budget; otherwise, you will compromise the tracking performance of the Crescent.

### Serial Ports

The Crescent has four serial communication ports:

- Port A, Port B, Port C - main ports
- Port D - Exclusively used to interface with the SBX beacon board or an external corrections source. This port will not output normal GPS-related NMEA messages. When communicating into either Port A, B, or C, a virtual connection may be established to the device on Port D using the \$JCONN command. See "Communication Port D" below for more information on Port D.

The Crescent serial ports' 3.3 V CMOS signal level can be translated to interface to other devices. For example, if serial Ports A, B, and/or C are used to communicate to external devices (such as PCs) you must translate the signal level from 3.3 V CMOS to RS-232.

### Communication Port D

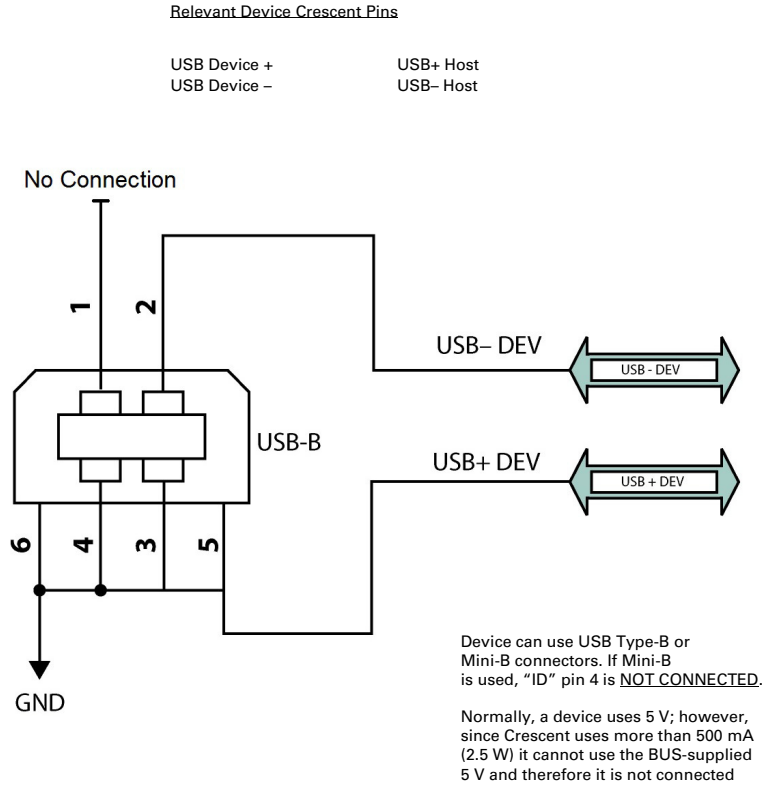
Port D is exclusively for external DGPS correction input to the Crescent, such as from Hemisphere GNSS' SBX beacon board.

### USB Ports

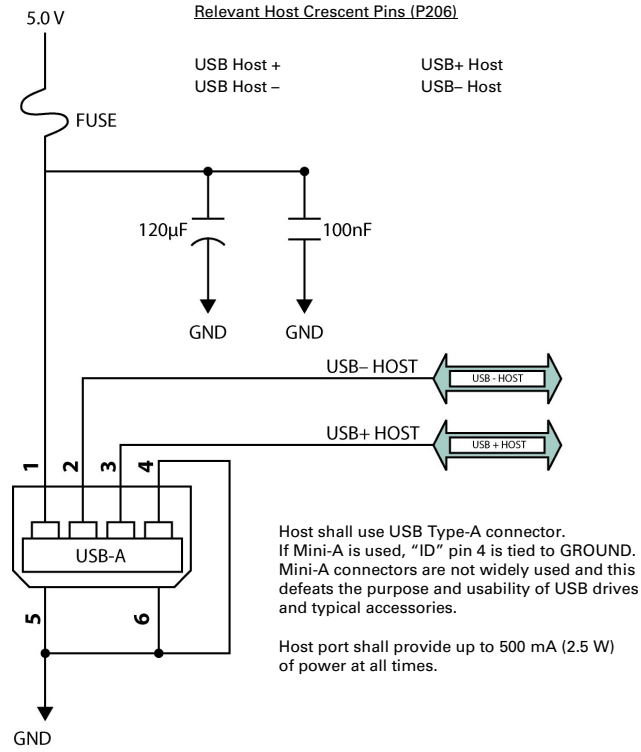
The Crescent P206 has both a USB host port and a USB device port while P207 has only a USB device port, where:

- USB device port (data communication) shown in Figure 2-6 on page 16 serves as a high speed data communications port, such as for a PC
- USB host port (data storage) shown in Figure 2-7 on page 17 serves as a data storage port, such as with a USB flash drive

The USB data lines are bidirectional and are differential pairs. The USB data lines should be laid out on printed wire board (PWB) with  $90 \Omega \pm 15\%$  differential impedance. The traces should be over a solid continuous ground plane. Maintain parallel traces and symmetry. There shall be no traces or breaks in the ground plane underneath the D+ and D- traces. It is also recommended to leave a minimum 20 mil spacing between USB signals and other signals. Treat the data lines as if they are RF signals.



**Figure 2-6: Crescent USB device design example**



**Figure 2-7: Crescent USB host design example**

## LED Indicators

The Crescent features the following surface-mounted diagnostic LEDs that indicate board status (see Figure 2-8):

- PWR - Power
- GPS - GPS lock
- DIFF - Differential lock
- DGPS - DGPS position



**Figure 2-8: Onboard LEDs**

With the exception of the power LED the signals that drive the LEDs are available via the header connector. Refer to Table 2-2 through Table 2-3 for pin number descriptions for the Crescent.

*Note: Each signal pin can offer only 1 mA of current and is active low. Since 1 mA of current may be inadequate for the application, you may want to transistor-buffer these signals to provide more current capacity for acceptable LED luminance.*

## 1PPS Timing Signal

The one pulse per second (1 PPS) timing signal is used in applications where devices require time synchronization.

*Note: 1 PPS is typical of most GPS boards but not essential to normal receiver operation. Do not connect this pin if you do not need this function.*

The 1 PPS signal is 3.3 V CMOS, active high with rising edge synchronization. The 1 PPS signal is capable of driving a load greater than 10 k $\Omega$  in parallel with 10 pF. The pulse is approximately 1 ms.

## Event Marker Input

A GPS solution may need to be forced at a particular instance, not synchronized with GPS time depending on the application, such as indicating to the GPS receiver when a photo is taken from a camera used for aerial photography.

*Note: Event marker input is typical of most GPS boards but not essential to normal receiver operation. Do not connect this pin if you do not need this function.*

The event marker input is 3.3 V CMOS, active low with falling edge synchronization. The input impedance and capacitance is higher than 10 k $\Omega$  and 10 pF respectively, with a threshold of lower than 0.7 V required to recognize the input.

## Grounds

You must connect all grounds together when connecting the ground pins of the Crescent. These are not separate analog and digital grounds that require separate attention. Refer to Table 2-2 through Table 2-3 for pinout ground information for the

Crescent.

## Speed Radar Output

*Note: Speed radar output is not essential to normal receiver operation. Do not connect these pins if you do not need this function.*

The following two pins on the Crescent relate to the Speed Radar.

- Speed Radar Pulse - Outputs a square wave with 50% duty cycle. The frequency of the square wave varies directly with speed. 97 Hz represents a speed of 1 m/s (3.28 ft/s).
- Speed Radar Ready Signal - Indicates when the speed signal on the *Speed Radar Pulse* pin is valid. In static situations, such as when the vehicle has stopped, the GPS position may still have slight variations from one moment to the next. During these instances, the signal on the *Speed Radar Ready Signal* pin is 'high' or +Vcc, indicating the speed coming out of the *Speed Radar Pulse* pin is erroneous and not truly indicative of the GPS receiver's actual speed. **Therefore, it should not be referred to or be used.** Once the vehicle starts moving again and meets a minimum threshold speed, the output on the *Speed Radar Ready Signal* pin will go 'low,' indicating valid speed information is present on the *Speed Radar Pulse* pin.

Table 2-4 provides the location of the Speed Radar Pulse and Speed Radar Ready Signal on the Crescent.

**Table 2-4: Crescent speed radar output availability**

Crescent Board	Speed Radar Pulse	Speed Radar Ready Signal
Crescent (P206)	Pin 25	Pin 26
Crescent (P207)	N/A	N/A

*Note: Neither pin has any form of isolation or surge protection. If utilizing the Speed Radar Pulse output, Hemisphere GNSS strongly recommends incorporating some form of isolation circuitry into the supporting hardware. Contact Hemisphere GNSS Customer Support for an example of an optically isolated circuit.*



## Shielding

The Crescent is a sensitive instrument. When integrated into an enclosure, the Crescent requires shielding from other electronics to ensure optimal operation. The Crescent shield design consists of a thin piece of metal with specific diameter holes, preventing harmful interference from penetrating, while still allowing air circulation for cooling.

## Receiver Mounting

The Crescent is a precision instrument. To ensure optimal operation, consider mounting the receiver in a way to minimize vibration and shock.

When mounting the Crescent immediately adjacent to the GPS antenna, Hemisphere GNSS highly recommends shielding the board from the LNA of the antenna. This step can be more complex than some integrators initially estimate. Attempt to confirm the operation in your application as early in the project as possible.

## Thermal Concerns

The Crescent receiver consumes a few watts of power, which ultimately will generate heat. Since this may raise the ambient temperature inside an enclosure consider managing the heat inside the enclosure to ensure the internal temperature does not exceed the maximum operating temperature for the Crescent. Some suggestions for heat management are heat sinks, heat conductive foam, or using a small cooling fan possibly using a thermal switch. Air moving over the Crescent removes heat very effectively.

*Note: Thermal design may only be a concern if the integrated product's maximum design temperature is expected to be close to that of the Crescent.*

## **Chapter 3: Operation**

- Powering the Crescent
- Communicating with the Crescent
- Configuring the Crescent
  - Firmware
- Configuring the Data Message Output
- Saving the Crescent Configuration
  - Using Port D for RTCM Input
  - Configuration Defaults

This chapter provides Crescent operation information, such as communicating with the Crescent, firmware, and configuration defaults.

*Note: Install the antenna outdoors so it has a clear view of the entire sky. If you place the antenna indoors near a window, for example, you will likely not track a sufficient number of satellites. With a properly installed antenna the Crescent provides a position within approximately 60 sec.*

## Powering the Crescent

The Crescent is powered by a 3.3 VDC power source. Once you connect appropriate power the Crescent is active. Although the Crescent proceeds through an internal startup sequence upon application of power, it is ready to communicate immediately.

## Communicating with the Crescent

The Crescent features three primary serial ports (Port A, Port B, Port C) that you can configure independently from each other. You can configure the ports for any combination of NMEA 0183, binary, and RTCM SC-104 data. The usual data output is limited to NMEA data messages as these are industry standard.

*Note: You may use the three serial ports to separate the different data types and output different rates. If the Crescent is required to output different data types simultaneously, ensure data logging and the processing software used can correctly parse the different data from a single stream.*

## Configuring the Crescent

You can configure all aspects of Crescent operation through any serial port using proprietary commands. For information on these commands refer to the Hemisphere GNSS Technical Reference (go to [www.hemispheregns.com](http://www.hemispheregns.com) and follow the links to Resources, GPS Reference Guide).

You can configure the following:

- Select one of the two firmware applications
- Set communication port baud rates
- Select which messages to output on the serial ports and the update rate of each message
- Set various receiver operating parameters

For a complete lists of commands and messages refer to the Hemisphere GPS Technical Reference.

To issue commands to the Crescent you will need to connect it to a terminal program such as HyperTerminal or either of Hemisphere GNSS' software applications (SLXMon or PocketMax). See "What is the best software tool to use to communicate with the Crescent and configure it?" on page 29 for descriptions of HyperTerminal, SLXMon, and PocketMax.

## Firmware

The software that runs the Crescent is often referred to as firmware since it operates at a low level. You can upgrade the firmware in the field through any serial port as new versions become available.

You can have two firmware applications loaded on the receiver; however, you can only operate one at a time.

The Crescent currently ships with the same application loaded in both applications. If you choose to load different firmware in each application, refer to the Hemisphere GNSS Technical Reference (go to [www.hemispheregnss.com](http://www.hemispheregnss.com) and follow the links to Resources, GPS Reference Guide) for information on the \$JAPP command, which you use to change between the two Crescent applications.

## Configuring the Data Message Output

The Crescent features three primary bidirectional ports (Ports A, B and C) and a differential-only port (Port D). You can configure messages for all ports by sending proprietary commands to the Crescent through any port. For a complete lists of commands and messages refer to the Hemisphere GNSS Technical Reference (go to [www.hemispheregnss.com](http://www.hemispheregnss.com) and follow the links to Resources, GPS Reference Guide)

### 'THIS' Port and the 'OTHER' Port

Both Port A and Port B use the phrases "THIS" and "OTHER" when referring to themselves and each other in NMEA messages.

'THIS' port is the port you are currently connected to for inputting commands. To output data through the same port ('THIS' port) you do not need to specify 'THIS' port. For example, when using Port A to request the GPGGA data message be output at 5 Hz on the same port (Port A), issue the following command:

```
$JASC,GPGGA,5<CR><LF>
```

The 'OTHER' port is either Port A or Port B, whichever one you are not using to issue commands. If you are using Port A to issue commands, then Port B is the 'OTHER' port, and vice versa. To specify the 'OTHER' port for the data output you need to include 'OTHER' in the command. For example, if you use Port A to request the GPGGA data message be output at 5 Hz on Port B, issue the following command:

```
$JASC,GPGGA,5,OTHER<CR><LF>
```

When using Port A or Port B to request message be output on Port C, you must specifically indicate (by name) you want the output on Port C. For example, if you use Port A to request the GPGLL data message be output at 10 Hz on Port C, issue the following command:

```
$JASC,GPGLL,10,PORTC<CR><LF>
```

## Saving the Crescent Configuration

Each time you change the Crescent's configuration you may want to save the configuration so you do not have to reconfigure the receiver each time you power it on. To save the configuration, issue the \$JSAVE command to the Crescent using a terminal program such as HyperTerminal or either of Hemisphere GNSS' applications (SLXMon or PocketMax). The Crescent will take approximately five seconds to save the configuration to non-volatile memory and will indicate when the configuration has been saved. Refer to the Hemisphere GNSS Technical Reference (go to [www.hemispheregnss.com](http://www.hemispheregnss.com) and follow the links to Resources, GPS Reference Guide)

## Using Port D for RTCM Input

Port D has been optimized to interface with Hemisphere GNSS' SBX-4 beacon board and operates at 9600 baud (8 data bits, no parity and 1 stop bit – 8-N-1).

To configure the Crescent to use Port D, issue the following command:

```
$JDIF, BEACON<CR><LF>
```

To return to using SBAS as the correction source, send the following command to the Crescent:

```
$JDIF, WAAS<CR><LF>
```

For a complete lists of commands and messages refer to the Hemisphere GNSS Technical Reference (go to [www.hemispheregnss.com](http://www.hemispheregnss.com) and follow the links to Resources, GPS Reference Guide).

## Configuration Defaults

Below is the standard configuration for the Crescent. For more information on these commands refer to the Hemisphere GNSS Technical Reference (go to [www.hemispheregnss.com](http://www.hemispheregnss.com) and follow the links to Resources, GPS Reference Guide).

```
$JOFF, PORTA
$JOFF, PORTB
$JOFF, PORTC
$JBAUD, 19200, PORTA
$JBAUD, 19200, PORTB
$JBAUD, 19200, PORTC
$JAGE, 2700
$JLIMIT, 10.0
$JMASK, 5
$JDIF, WAAS
$JPOS, 51.0, -114.0
$JSMOOTH, LONG900
$JAIR, AUTO
$JALT, NEVER

$JNP, 7
$JWAASPRN, AUTO
$JTAU, COG, 0.00
$JTAU, SPEED, 0.00

$JSAVE
```

## **Appendix A: Frequently Asked Questions**

Integration  
Support and Repair  
Power, Communication, and Configuration  
GNSS Reception and Performance  
SBAS Reception and Performance  
External Corrections  
Installation

## Integration

### **Do I need to use the 1 PPS and event marker?**

No, these are not necessary for Crescent operation.

### **What should I do with the 1 PPS signal if I do not want to use it?**

This signal will be strobing at 1 Hz, so it should not be connected.

### **What should I do with the manual mark input if I am not going to use it?**

Do not connect the pin because this signal is active low.

### **Do I need to use the lock indicators?**

No, these are present for applications where it is desirable to have an LED visible to the user. These signals need to be transistor-buffered, as these lines can only offer 1 mA. Depending on the product and the application, LEDs can be very useful to the end user. These signals are active low.

### **Do I need to use a shield-can for the Crescent?**

Not necessarily...but you may need to if there are RF interference issues, such as if the Crescent interferes with other devices. A shield-can would be a good start in terms of investigating the benefit. If you are designing a smart antenna system, one is likely needed. Hemisphere GNSS recommends that you always conduct an RF prescan when integrating OEM boards.

### **If my company wishes to integrate this product, what type of engineering resources will I need to do this successfully?**

Hemisphere GNSS recommends you have sufficient engineering resources with the appropriate skills in and understanding of the following:

- Electronic design (including power supplies and level translation)
- RF implications of working with GPS equipment
- Circuit design and layout
- Mechanical design and layout

### **What type of assistance can I expect from Hemisphere GNSS when integrating the Crescent?**

Integration of a GNSS board has such benefits as:

- Lower system cost
- Improved branding (rather than relabeling an existing product)
- Better control of system design among others

As an integrator, you are responsible for ensuring that the correct resources are in place to technically complete it. Hemisphere GNSS will provide reasonable assistance. However, Hemisphere GNSS does not have dedicated engineering resources for in-depth integration support. Hemisphere GNSS will do its best to provide support as necessary, but you should expect to have reasonable expertise to use this Integrators Guide.

## **Support and Repair**

### **How do I solve a problem I cannot isolate?**

Hemisphere GNSS recommends contacting the dealer first. With their experience with this product, and other products from Hemisphere GNSS, they should be able to help isolate a problem. If the issue is beyond the capability or experience of the dealer, Hemisphere GNSS Technical Support is available from 8:00 AM to 5:00 PM Mountain Standard Time, Monday through Friday.

See "Technical Support" on page i (just before the Contents page) for Technical Support contact information.

### **What do I do if I cannot resolve a problem after trying to diagnose it myself?**

Contact your dealer to see if they have any information that may help to solve the problem. They may be able to provide some in-person assistance. If this is not viable or does not solve the problem, Hemisphere GNSS Technical Support is available from 8:00 AM to 5:00 PM Mountain Standard Time, Monday through Friday.

See "Technical Support" on page i (just before the Contents page) for Technical Support contact information.

### **Can I contact Hemisphere GNSS Technical Support directly regarding technical problems?**

Yes, however, Hemisphere GNSS recommends speaking to the dealer first as they would be the local support. They may be able to solve the problem quickly, due to their closer location and experience with our equipment.



## Power, Communication, and Configuration

### **My Crescent system does not appear to be communicating. What do I do?**

This could be one of a few issues:

- Examine the Crescent cables and connectors for signs of damage or offset.
- Ensure the Crescent system is properly powered with the correct voltage.
- Ensure there is a good connection to the power supply since it is required to terminate the power input with the connector.
- Check the documentation of the receiving device, if not a PC, to ensure the transmit line from the Crescent is connected to the receive line of the other device. Also, ensure the signal grounds are connected.
- If the Crescent is connected to a custom or special device, ensure the serial connection to it does not have any incompatible signal lines present that prevent proper communication.
- Make sure the baud rate of the Crescent matches the other device. The other device must also support an 8 data bit, 1 stop bit, no parity port configuration (8-N-1). Some devices support different settings that may be user configurable. Ensure the settings match.
- Consult the troubleshooting section of the other device's documentation to determine if there may be a problem with the equipment.

### **Am I able to configure two serial ports with different baud rates?**

Yes, all the ports are independent. For example, you may set one port to 4800 and another port to 19200.

### **Am I able to have the Crescent output different NMEA messages through multiple ports?**

Yes, different NMEA messages can be sent to the serial ports you choose. These NMEA messages may also be at different update rates.

A high enough baud rate is needed to transmit all the data; otherwise, some data may not be transmitted.

### **How can I determine the current configuration of the Crescent?**

The \$JSHOW command will request the configuration information from the Crescent. The response will be similar to:

```
$>JSHOW,BAUD,19200
$>JSHOW,BIN,1,5.0
$>JSHOW,BAUD,4800,OTHER
$>JSHOW,ASC,GPGGA,1.0,OTHER
$>JSHOW,ASC,GPVTG,1.0,OTHER
$>JSHOW,ASC,GPGSA,1.0,OTHER
```

### **How can I be sure the configuration will be saved for the subsequent power cycle?**

Query the receiver to make sure the current configuration is correct by issuing a \$JSHOW command. If not, make the necessary changes and reissue the \$JSHOW command. Once the current configuration is acceptable, issue a \$JSAVE command and wait for the receiver to indicate the save is complete. Do not power off the receiver until the "save complete" message appears.

**How do I change the baud rate of a port from that port?**

Connect at the current baud rate of the Crescent port and then issue a \$JBAUD command to change the port baud rate to the desired rate. Now change the baud rate in your application to the desired rate.

**What is the best software tool to use to communicate with the Crescent and configure it?**

Hemisphere GNSS uses three different software applications:

- HyperTerminal™ - Available on all Windows® 95, 98, ME, and XP. This tool allows you to configure the Crescent by directly typing commands into the terminal window. The output from the Crescent is simultaneously shown. When using HyperTerminal, ensure it is configured to use the correct PC communication port and baud rate, and that the local echo feature is on (to see what is being typed).
- SLXMon - Available at [www.hemispheregnss.com](http://www.hemispheregnss.com). This application is a very useful tool for graphically viewing tracking performance and position accuracy, and for recording data. It can also configure message output and port settings. SLXMon runs on Windows 95 or higher.
- PocketMax - Available at [www.hemispheregnss.com](http://www.hemispheregnss.com). Similar to SLXMon, you can use this application to graphically view tracking performance and position accuracy, record data, and configure message output and port settings. PocketMax runs on multiple Windows platforms using the Windows .NET framework.

## **GNSS Reception and Performance**

**How do I know what the Crescent is doing?**

The Crescent supports standard NMEA data messages. The \$GPGSV and Bin99 data messages contain satellite tracking and SNR information. If available, the computed position is contained in the \$GPGGA message. Additionally, the Crescent has surface-mounted status LEDs that indicate receiver status.

**Do I have to be careful when using the Crescent to ensure it tracks properly?**

For best performance, the Crescent's antenna must have a clear view of the sky for satellite tracking. The Crescent can tolerate a certain amount of signal blockage because redundant satellites are often available. Only four satellites are required for a position; however, the more satellites that are used, the greater the positioning accuracy.

## **SBAS Reception and Performance**

### **How do I know if the Crescent has acquired an SBAS signal?**

The Crescent outputs the \$RD1 message that contains the SBAS Bit Error Rate (BER) for each SBAS channel. The BER value describes the rate of errors received from SBAS. Ideally, this should be zero. However, the Crescent performs well up to 150 BER. The SLXMon and PocketMax utilities provide this information without needing to use NMEA commands.

### **How do I know if the Crescent is offering a differentially-corrected or RTK-corrected position?**

The Crescent outputs the \$GPGGA message as the main positioning data message. This message contains a quality fix value that describes the GPS status. If this value is 2, the position is differentially corrected; if this value is 5, the position is RTK-corrected. The SLXMon and PocketMax utilities provide this information without needing to use NMEA commands.

### **How do I select an SBAS satellite?**

By default the Crescent will automatically attempt to track the appropriate SBAS satellites. If multiple satellites are available, the one with the lowest BER value is selected to be used to decode the corrections.

You can manually select which SBAS satellites to track—refer to the Hemisphere GNSS Technical Reference (go to [www.hemispheregns.com](http://www.hemispheregns.com) and follow the links to Resources, GPS Reference Guide) for more information; however, this is not recommended.

### **Should I be concerned if the Crescent is frequently losing lock on SBAS due to obstructions or low satellite elevation angles at my geographic location?**

No, provided the receiver is receiving a full set of corrections relatively often. Using COAST technology, the Crescent is able to perform well for 40 minutes or more with aging correction data. Similar to DGPS corrections, accuracy degrades over time and distance. To obtain a full set of corrections the Crescent antenna receives the ionospheric map over a period of a few minutes. This is the minimum amount of time required to get a full set of corrections for SBAS operation. After this, the receiver can coast until the next set of corrections have been received.

Accuracy is a function of correction age and current ionospheric activity, which will increase in the coming years.

### **Do I need a dual frequency antenna for SBAS?**

Hemisphere GNSS recommends using a single frequency antenna with the Crescent.

## External Corrections

### **My Crescent system does not appear to be using DGPS or RTK corrections from an external correction source. What could be the problem?**

This could be due to a number of factors. To isolate the issue:

- Make sure DGPS corrections are RTCM v2.3 protocol.
- Make sure RTK corrections are either ROX, RTCM v3, CMR, or CMR+ protocol.
- Verify the baud rates used by the Crescent match that of the external correction source.
- The external correction should be using an 8 data bit, no parity, 1 stop bit (8-N-1) serial port configuration.
- Inspect the cable connection to ensure there is no damage.
- Check the pinout information for the cables to ensure the transmit line of the external correction source is connected to the receive line of the Crescent's serial port and that the signal grounds are connected.
- Make sure the Crescent has been set to receive external corrections by issuing the \$JDIF command. Refer to the Hemisphere GNSS Technical Reference (go to [www.hemispheregnss.com](http://www.hemispheregnss.com) and follow the links to Resources, GPS Reference Guide) for more information.

## Installation

### **Does it matter where I mount the Crescent's antenna?**

Yes, the mounting location must provide a clear view of the sky for satellite tracking. Additionally, the position that it computes is based on the center of the antenna. It should be placed in the location for which the user would like a position. Often antennas are mounted on the centerline of a vehicle or on a pole-mount for georeference.

### **How will the antenna selection and mounting affect Crescent performance?**

For best results select a multipath-resistant antenna. Ensure the antenna tracks all the available signals for the receiver.

Mount the antenna:

- With the best possible view of the sky
- In a location with the lowest possible multipath

Using a magnetic mount for the antenna will not affect performance.



## **Appendix B: Troubleshooting**

Use the following checklist to troubleshoot anomalous Crescent operation. Table B-1 provides a list of issues with possible solutions. Refer to Appendix C, "Technical Specifications" if necessary.

**Table B-1: Troubleshooting**

Issue	Possible Solution
<p>What do I do initially if I have a problem with the operation of the Crescent?</p>	<p>Try to isolate the source of the problem. Problems are likely to fall within one of the following categories:</p> <ul style="list-style-type: none"> <li>• Power, communication, and configuration</li> <li>• GPS reception and performance</li> <li>• Beacon reception and performance</li> <li>• SBAS reception and performance</li> <li>• External corrections</li> <li>• Installation</li> <li>• Shielding and isolating interference</li> </ul> <p>It is important to review each category in detail in order to eliminate it as a problem.</p>
<p>Receiver fails to power</p>	<ul style="list-style-type: none"> <li>• Verify polarity of power leads</li> <li>• Check 1.0 A in-line power cable fuse connection</li> <li>• Check integrity of power cable connections</li> <li>• Check power input voltage</li> <li>• Check current restrictions imposed by power source (minimum available should be &gt; 1.0 A)</li> </ul>
<p>No data from the Crescent</p> <ol style="list-style-type: none"> <li>1. No communication</li> <li>2. No valid data</li> </ol>	<ul style="list-style-type: none"> <li>• (1) Check receiver power status (this may be done with an ammeter)</li> <li>• (2) Verify Crescent is locked to a valid DGPS signal (this can often be done on the receiving device or by using SLXMon)</li> <li>• (2) Verify that Crescent is locked to GPS satellites (this can often be done on the receiving device or by using SLXMon)</li> <li>• (2) Check integrity and connectivity of power and data cable connections</li> </ul>
<p>Random binary data from the Crescent</p>	<ul style="list-style-type: none"> <li>• Verify that the RCTM or Bin messages are not being accidentally output (send a \$JSHOW command)</li> <li>• Verify that the baud rate settings of Crescent and remote device match</li> <li>• Potentially, the volume of data requested to be output by the Crescent could be higher than the current baud rate supports. Try using 19200 or higher for the baud rate for all devices</li> </ul>

**Table B-1: Troubleshooting**

Issue	Possible Solution
No GPS lock	<ul style="list-style-type: none"> <li>• Check integrity of antenna cable</li> <li>• Verify antenna's view of the sky</li> <li>• Verify the lock status and signal to noise ratio of GPS satellites (this can often be done on the receiving device or by using SLXMon)</li> </ul>
No SBAS	<ul style="list-style-type: none"> <li>• Check antenna cable integrity</li> <li>• Verify antenna's view of the sky, especially towards that SBAS satellites, south in the northern hemisphere</li> <li>• Verify the bit error rate and lock status of SBAS satellites (this can often be done on the receiving device or by using SLXMon - monitor BER value)</li> </ul>
No DGPS position in external RTCM mode	<ul style="list-style-type: none"> <li>• Verify that the baud rate of the RTCM input port matches the baud rate of the external source</li> <li>• Verify the pinout between the RTCM source and the RTCM input port (the "ground" pin and pinout must be connected, and from the "transmit" from the source must connect to the "receiver" of the RTCM input port).</li> </ul>
Non-DGPS output	<ul style="list-style-type: none"> <li>• Verify Crescent SBAS and lock status (or external source is locked)</li> </ul>





## **Appendix C: Technical Specifications**

P206 Specifications

P207 Specifications

## P206 Specifications

Table C-21 through Table C-25 provide specifications for the P206.

**Table C-1: P206 sensor specifications**

Item	Specification												
Receiver type	GPS, GLONASS and BeiDou L1 RTK with carrier phase												
Channels	12 L1CA GPS 12 L1P GPS 12 L1 GLONASS 22 B1 BeiDou 3 SBAS or 3 additional L1CA GPS  * with subscription code  <i>Note: L-band support available with optional Hemisphere GNSS LX-2 OEM board.</i>												
GPS sensitivity	-142 dBm												
SBAS tracking	3-channel, parallel tracking												
Update rate	1 Hz standard, 10 Hz and 20 Hz available												
Horizontal accuracy	<table border="1"> <thead> <tr> <th></th> <th>RMS (67%)</th> <th>2DRMS (95%)</th> </tr> </thead> <tbody> <tr> <td>RTK<sup>1,2</sup></td> <td>10 mm + 1 ppm</td> <td>20 mm + 2 ppm</td> </tr> <tr> <td>SBAS (WAAS)<sup>1</sup></td> <td>0.3 m</td> <td>0.6 m</td> </tr> <tr> <td>Autonomous, no SA<sup>1</sup></td> <td>1.2 m</td> <td>2.5 m</td> </tr> </tbody> </table>		RMS (67%)	2DRMS (95%)	RTK <sup>1,2</sup>	10 mm + 1 ppm	20 mm + 2 ppm	SBAS (WAAS) <sup>1</sup>	0.3 m	0.6 m	Autonomous, no SA <sup>1</sup>	1.2 m	2.5 m
	RMS (67%)	2DRMS (95%)											
RTK <sup>1,2</sup>	10 mm + 1 ppm	20 mm + 2 ppm											
SBAS (WAAS) <sup>1</sup>	0.3 m	0.6 m											
Autonomous, no SA <sup>1</sup>	1.2 m	2.5 m											
Timing (1PPS) accuracy	20 ns												
Cold start time	< 60 s typical (no almanac or RTC)												
Warm start time	< 30 s typical (almanac and RTC)												
Hot start time	< 10 s (almanac, RTC, and position)												
Maximum speed	1,850 kph (999 kts)												
Maximum altitude	18,288 m (60,000 ft)												
Differential options	SBAS, Autonomous, External RTCM v2.3, RTK v3												

**Table C-2: P206 communication specifications**

Item	Specification
Serial ports	4 full-duplex 3.3 V CMOS (3 main serial ports, 1 differential-only port)
Baud rates	4800 - 115200
Data I/O protocol	NMEA 0183, Hemisphere GNSS' binary
Correction I/O protocol	Hemisphere GNSS' ROX, RTCM v2.3 (DGPS), RTCM v3 (RTK), CMR, CMR+ <sup>4</sup>
Timing output	1 PPS CMOS, active high, rising edge sync, 10 k $\Omega$ , 10 pF load
Event marker input	CMOS, active low, falling edge sync, 10 k $\Omega$ , 10 pF load
USB	1 USB Host, 1 USB Device

**Table C-3: P206 power specifications**

Item	Specification
Input voltage	3.3 VDC +/- 5%
Power consumption	< 1.4 W nominal
Current consumption	420 mA nominal GPS, GLONASS and BeiDou
Antenna voltage input	15 VDC maximum
Antenna short circuit protection	Yes
Antenna gain input range	10 to 40 dB
Antenna input impedance	50 $\Omega$

**Table C-4: P206 environmental specifications**

Item	Specification
Operating temperature	-40°C to +85°C (-40°F to +185°F)
Storage temperature	-40°C to +85°C (-40°F to +185°F)
Humidity	95% non-condensing (when installed in an enclosure)
Shock and vibration <sup>5</sup>	Vibration: EP455 Section 5.15.1 Random Mechanical Shock: EP455 Section 5.14.1 Operational (when mounted in an enclosure with screw mounting holes utilized)
EMC <sup>5</sup>	CE (ISO 14982 Emissions and Immunity) FCC Part 15, Subpart B CISPR22

**Table C-5: P206P207 mechanical specifications**

Item	Specification
Dimensions	71.1 L x 40.6 W x 10.1 H mm (2.81 L x 1.60 W x 0.40 H in)
Weight	< 23 g (< 0.81 oz)
Status indication (LED)	Power, GPS lock, Differential lock, DGPS position
Power/Data connector	34-pin (17x2) male header 0.05" (1.27 mm) pitch
Antenna connector	MCX, female, straight

## P207 Specifications

Table C-26 through Table C-30 provide specifications for the P207.

**Table C-6: P207 sensor specifications**

Item	Specification												
Receiver type	GPS, GLONASS and BeiDou L1 RTK with carrier phase												
Channels	12 L1CA GPS 12 L1P GPS 12 L1 GLONASS 22 B1 BeiDou 3 SBAS or 3 additional L1CA GPS  * with subscription code  <i>Note: L-band support available with optional Hemisphere GNSS LX-2 OEM board.</i>												
GPS sensitivity	-142 dBm												
SBAS tracking	3-channel, parallel tracking												
Update rate	1 Hz standard, 10 Hz and 20 Hz available												
Horizontal accuracy	<table border="1"> <thead> <tr> <th></th> <th>RMS (67%)</th> <th>2DRMS (95%)</th> </tr> </thead> <tbody> <tr> <td>RTK<sup>1,2</sup></td> <td>10 mm + 1 ppm</td> <td>20 mm + 2 ppm</td> </tr> <tr> <td>SBAS (WAAS)<sup>1</sup></td> <td>0.3 m</td> <td>0.6 m</td> </tr> <tr> <td>Autonomous, no SA<sup>1</sup></td> <td>1.2 m</td> <td>2.5 m</td> </tr> </tbody> </table>		RMS (67%)	2DRMS (95%)	RTK <sup>1,2</sup>	10 mm + 1 ppm	20 mm + 2 ppm	SBAS (WAAS) <sup>1</sup>	0.3 m	0.6 m	Autonomous, no SA <sup>1</sup>	1.2 m	2.5 m
	RMS (67%)	2DRMS (95%)											
RTK <sup>1,2</sup>	10 mm + 1 ppm	20 mm + 2 ppm											
SBAS (WAAS) <sup>1</sup>	0.3 m	0.6 m											
Autonomous, no SA <sup>1</sup>	1.2 m	2.5 m											
Timing (1PPS) accuracy	20 ns												
Cold start time	< 60 s typical (no almanac or RTC)												
Warm start time	< 30 s typical (almanac and RTC)												
Hot start time	< 10 s (almanac, RTC, and position)												
Maximum speed	1,850 kph (999 kts)												
Maximum altitude	18,288 m (60,000 ft)												
Differential options	SBAS, Autonomous, External RTCM v2.3, RTK v3												

**Table C-7: P207 communication specifications**

Item	Specification
Serial ports	4 full-duplex 3.3 V CMOS (3 main serial ports, 1 differential-only port)
Baud rates	4800 - 115200
Data I/O protocol	NMEA 0183, Hemisphere GNSS binary
Correction I/O protocol	Hemisphere GNSS' ROX, RTCM v2.3 (DGPS), RTCM v3 (RTK), CMR, CMR+ <sup>4</sup>
Timing output	1 PPS CMOS, active high, rising edge sync, 10 k $\Omega$ , 10 pF load
Event marker input	CMOS, active low, falling edge sync, 10 k $\Omega$ , 10 pF load
USB	1 USB Device

**Table C-8: P207 power specifications**

Item	Specification
Input voltage	3.3 VDC +/- 5%
Power consumption	< 1.4 W nominal
Current consumption	420 mA nominal GPS , GLONASS and BeiDou
Antenna voltage input	15 VDC maximum
Antenna short circuit protection	Yes
Antenna gain input range	10 to 40 dB
Antenna input impedance	50 $\Omega$

**Table C-9: P207 environmental specifications**

Item	Specification
Operating temperature	-40°C to +85°C (-40°F to +185°F)
Storage temperature	-40°C to +85°C (-40°F to +185°F)
Humidity	95% non-condensing (when installed in an enclosure)
Shock and vibration <sup>5</sup>	Vibration: EP455 Section 5.15.1 Random Mechanical Shock: EP455 Section 5.14.1 Operational (when mounted in an enclosure with screw mounting holes utilized)
EMC <sup>5</sup>	CE (ISO 14982 Emissions and Immunity) FCC Part 15, Subpart B CISPR22

**Table C-10: P207 mechanical specifications**

Item	Specification
Dimensions	72.4 L x 40.6 W x 10.1 H mm (2.85 L x 1.60 W x 0.40 H in)
Weight	< 23 g (< 0.81 oz)
Status indication (LED)	Power, GPS lock, Differential lock, DGPS position
Power/Data connector	20-pin (10x2) male header 0.08" (2 mm) pitch
Antenna connector	MCX, female, straight

<sup>1</sup> Depends on multipath environment, number of satellites in view, satellite geometry, and ionospheric activity

<sup>2</sup> Depends also on baseline length

<sup>3</sup> Requires an L-band subscription

<sup>4</sup> Receive only, does not transmit this format

<sup>5</sup> When integrated in conjunction with the recommended shielding and protection as outlined in this manual

---

## Index

---

### Numerics

1 PPS timing signal 4, 12, 14, 18, 26, 38, 40

### B

binary messages 22

board

- communicating with 22

- configuring 22

- connectors 9

- firmware 23

- headers 11

- integration 3

- LED indicators 18

- mechanical layout 7

- mounting options 10

- options 2

- options (models) 2

- powering 22

- saving configuration 24

- shielding 20

- thermal concerns 20

- USB device design example 16

- USB host design example 17

### C

COAST technology 3, 6, 30

common features of all boards 3

communicating with the board 22

communication Port D 15

communication specifications

- P302 board 38

- P303 board 40

configuration defaults 24

configuring

- board 22

- data message output 23

connectors 9

### D

data message output 23

defaults, configuration 24

DGPS LED indicator 18

DGPS position LED indicator 18

DIFF LED indicator 18

differential lock LED indicator 18

direct mounting method 10

### E

e-Dif 3

environmental specifications

- P302 board 39

- P303 board 41

event marker input 18

### F

features common to all boards 3

firmware 23

### G

GPS LED indicator 18

GPS lock LED indicator 18

grounds 18

### H

headers 11

### I

indirect (cable) mounting method 10

integration 3

### K

key features

- miniEclipse OEM board 6

### L

L-BAND LED indicator 18

L-band lock LED indicator 18

L-Dif 4

LED indicators 18

### M

mating connectors 9

MCX connector 10

mechanical layout 7

mechanical specifications

- P302 board 39

- P303 board 41

miniEclipse OEM board

- key features 6

mounting

- direct method 10

- indirect (cable) method 10

- options 10

- receiver 20



## **N**

NMEA 0183 messages 22

## **O**

OTHER port 23

## **P**

P200 board  
    mechanical layout 7  
    pinouts 12

P201 board  
    mechanical layout 8

P202 board  
    mechanical layout 7  
    pinouts 12

P300 board  
    mechanical layout 7  
    pinouts 12  
    power specifications 39

P301 board  
    mechanical layout 8

P302 board  
    communication specifications 38  
    environmental specifications 39  
    mechanical specifications 39  
    sensor specifications 38

P303 board  
    communication specifications 40  
    environmental specifications 41  
    mechanical specifications 41  
    power specifications 41  
    sensor specifications 40

pinouts  
    P200 board 12  
    P202 board 12  
    P300 board 12

PocketMax 4, 22, 24

Port D, using for RTCM input 24

ports  
    OTHER 23  
    Port D 15  
    serial ports 15  
    THIS 23  
    USB 15  
    using Port D for RTCM input 24

power LED indicator 18

power specifications  
    P300 board 39  
    P303 board 41

powering the board 22

PWR LED indicator 18

## **R**

receiver mounting 20

RF input 15

RTCM input 24

RTK 6, 30, 31

## **S**

saving board configuration 24

SBX-4 beacon board 24

sensor specifications  
    P302 board 38  
    P303 board 40

serial ports 15

shielding 20

signals  
    communication Port D 15  
    RF input 15  
    serial ports 15  
    USB ports 15

SLXMon 22, 24

speed radar output 19

## **T**

thermal concerns 20

THIS port 23

## **U**

Universal Development Kit 3

USB device design example 16

USB host design example 17

USB ports 15

using PocketMax 4

## **W**

What's Included 3

## End User License Agreement

**IMPORTANT** - This is an agreement (the "**Agreement**") between you, the end purchaser ("**Licensee**") and Hemisphere GNSS Inc. ("**Hemisphere**") which permits Licensee to use the Hemisphere software (the "**Software**") that accompanies this Agreement. This Software may be licensed on a standalone basis or may be embedded in a Product. Please read and ensure that you understand this Agreement before installing or using the Software Update or using a Product.

In this agreement any product that has Software embedded in it at the time of sale to the Licensee shall be referred to as a "**Product**". As well, in this Agreement, the use of a Product shall be deemed to be use of the Software which is embedded in the Product.

BY INSTALLING OR USING THE SOFTWARE UPDATE OR THE PRODUCT, LICENSEE THEREBY AGREES TO BE LEGALLY BOUND BY THE TERMS OF THIS AGREEMENT. IF YOU DO NOT AGREE TO THESE TERMS, (I) DO NOT INSTALL OR USE THE SOFTWARE, AND (II) IF YOU ARE INSTALLING AN UPDATE TO THE SOFTWARE, DO NOT INSTALL THE UPDATE AND PROMPTLY DESTROY IT.

HEMISPHERE PROVIDES LIMITED WARRANTIES IN RELATION TO THE SOFTWARE. AS WELL, THOSE WHO USE THE EMBEDDED SOFTWARE DO SO AT THEIR OWN RISK. YOU SHOULD UNDERSTAND THE IMPORTANCE OF THESE AND OTHER LIMITATIONS SET OUT IN THIS AGREEMENT BEFORE INSTALLING OR USING THE SOFTWARE OR THE PRODUCT.

1. **LICENSE.** Hemisphere hereby grants to Licensee a non-transferable and non-exclusive license to use the Software as embedded in a Product and all Updates (collectively the "**Software**"), solely in binary executable form.
2. **RESTRICTIONS ON USE.** Licensee agrees that Licensee and its employees will not directly or indirectly, in any manner whatsoever:
  - a. install or use more copies of the Software than the number of copies that have been licensed;
  - b. use or install the Software in connection with any product other than the Product the Software was intended to be used or installed on as set out in the documentation that accompanies the Software.
  - c. copy any of the Software or any written materials for any purpose except as part of Licensee's normal backup processes;
  - d. modify or create derivative works based on the Software;
  - e. sub-license, rent, lease, loan or distribute the Software;
  - f. permit any third party to use the Software;
  - g. use or operate Product for the benefit of any third party in any type of service outsourcing, application service, provider service or service bureau capacity;
  - h. reverse engineer, decompile or disassemble the Software or otherwise reduce it to a human perceivable form;
  - i. Assign this Agreement or sell or otherwise transfer the Software to any other party except as part of the sale or transfer of the whole Product.
3. **UPDATES.** At Hemisphere's discretion Hemisphere may make Updates available to Licensee. An update ("**Update**") means any update to the Software that is made available to Licensee including error corrections, enhancements and other modifications. Licensee may access, download and install Updates during the Warranty Period only. All Updates that Licensee downloads, installs or uses shall be deemed to be Software and subject to this Agreement. Hemisphere reserves the right to modify the Product without any obligation to notify, supply or install any improvements or alterations to existing Software.
4. **SUPPORT.** Hemisphere may make available directly or through its authorized dealers telephone and email support for the Software. Contact Hemisphere to find the authorized dealer near you. As well, Hemisphere may make available user and technical documentation regarding the Software. Hemisphere reserves the right to reduce and limit access to such support at any time.
5. **BACKUPS AND RECOVERY.** Licensee shall back-up all data used, created or stored by the Software on a regular basis as necessary to enable proper recovery of the data and related systems and processes in the event of a malfunction in the Software or any loss or corruption of data caused by the Software. Licensee shall assume all risks of loss or damage for any failure to comply with the foregoing.
6. **OWNERSHIP.** Hemisphere and its suppliers own all rights, title and interest in and to the Software and related materials, including all intellectual property rights. The Software is licensed to Licensee, not sold.
7. **TRADEMARKS.** "Hemisphere", "Hemisphere GPS", "Hemisphere GNSS", "Crescent", "Eclipse" and the associated logos are trademarks of Hemisphere. Other trademarks are the property of their respective owners. Licensee may not use any of these trademarks without the consent of their respective owners.
8. **LIMITED WARRANTY.** Hemisphere warrants solely to the Licensee, subject to the exclusions and procedures set forth herein below, that for a period of one (1) year from the original date of purchase of the Product in which it is embedded (the "Warranty Period"), the Software, under normal use and maintenance, will conform in all material respects to the documentation provided with the Software and any media will be free of defects in materials and workmanship. For any Update, Hemisphere warrants, for 90 days from performance or delivery, or for the balance of the original Warranty Period, whichever is greater, that the Update, under normal use and maintenance, will conform in all material respects to the documentation provided with the Update and any media will be free of defects in materials and workmanship. Notwithstanding the foregoing, Hemisphere does not warrant that the Software will meet Licensee's requirements or that its operation will be error free.
9. **WARRANTY EXCLUSIONS.** The warranty set forth in Section (8) will not apply to any deficiencies caused by (a) the Product not being used as described in the documentation supplied to Licensee, (b) the Software having been altered, modified or converted in any way by anyone other than Hemisphere approved by Hemisphere, (c) any malfunction of Licensee's equipment or other software, or (d) damage occurring in transit or due to any accident, abuse, misuse, improper installation, lightning (or other electrical discharge) or neglect other than that caused by Hemisphere. Hemisphere does not warrant or guarantee the precision or accuracy of positions obtained when using the Software (whether standalone or embedded in a Product). The Product and the Software is not intended and should not be used as the primary means of navigation or for use in safety of life applications. The potential

positioning and navigation accuracy obtainable with the Software as stated in the Product or Software documentation serves to provide only an estimate of achievable accuracy based on specifications provided by the US Department of Defense for GPS positioning and DGPS service provider performance specifications, where applicable.

10. **WARRANTY DISCLAIMER.** EXCEPT AS EXPRESSLY SET OUT IN THIS AGREEMENT, HEMISPHERE MAKES NO REPRESENTATION, WARRANTY OR CONDITION OF ANY KIND TO LICENSEE, WHETHER VERBAL OR WRITTEN AND HEREBY DISCLAIMS ALL REPRESENTATIONS, WARRANTIES AND CONDITIONS OF ANY KIND INCLUDING FITNESS FOR A PARTICULAR PURPOSE, MERCHANTABILITY, ACCURACY, RELIABILITY OR THAT THE USE OF THE SOFTWARE WILL BE UNINTERRUPTED OR ERROR-FREE AND HEREBY DISCLAIMS ALL REPRESENTATIONS, WARRANTIES AND CONDITIONS ARISING AS A RESULT OF CUSTOM, USAGE OR TRADE AND THOSE ARISING UNDER STATUTE.
11. **LIMITS ON WARRANTY DISCLAIMER.** Some jurisdictions do not allow the exclusion of implied warranties or conditions, so some of the above exclusions may not apply to Licensee. In that case, any implied warranties or conditions which would then otherwise arise will be limited in duration to ninety (90) days from the date of the license of the Software or the purchase of the Product. The warranties given herein give Licensee specific legal rights and Licensee may have other rights which may vary from jurisdiction to jurisdiction.
12. **CHANGE TO WARRANTY.** No employee or agent of Hemisphere is authorized to change the warranty provided or the limitation or disclaimer of warranty provisions. All such changes will only be effective if pursuant to a separate agreement signed by senior officers of the respective parties.
13. **WARRANTY CLAIM.** In the event Licensee has a warranty claim Licensee must first check for and install all Updates that are made available. The warranty will not otherwise be honored. Proof of purchase may be required. Hemisphere does not honor claims asserted after the end of the Warranty Period.
14. **LICENSEE REMEDIES.** In all cases which involve a failure of the Software to conform in any material respect to the documentation during the Warranty Period or a breach of a warranty, Hemisphere's sole obligation and liability, and Licensee's sole and exclusive remedy, is for Hemisphere, at Hemisphere's option, to (a) repair the Software, (b) replace the Software with software conforming to the documentation, or (c) if Hemisphere is unable, on a reasonable commercial basis, to repair the Software or to replace the Software with conforming software within ninety (90) days, to terminate this Agreement and thereafter Licensee shall cease using the Software. Hemisphere will also issue a refund for the price paid by Licensee less an amount on account of amortization, calculated on a straight-line basis over a deemed useful life of three (3) years.
15. **LIMITATION OF LIABILITY.** IN NO EVENT WILL HEMISPHERE BE LIABLE TO LICENSEE FOR ANY INCIDENTAL, CONSEQUENTIAL, SPECIAL OR INDIRECT DAMAGES INCLUDING ARISING IN RELATION TO ANY LOSS OF DATA, INCOME, REVENUE, GOODWILL OR ANTICIPATED SAVINGS EVEN IF HEMISPHERE HAS BEEN INFORMED OF THE POSSIBILITY OF SUCH LOSS OR DAMAGE. FURTHER, IN NO EVENT WILL HEMISPHERE'S TOTAL CUMULATIVE LIABILITY HEREUNDER, FROM ALL CAUSES OF ACTION OF ANY KIND, EXCEED THE TOTAL AMOUNT PAID BY LICENSEE TO HEMISPHERE TO PURCHASE THE PRODUCT. THIS LIMITATION AND EXCLUSION APPLIES IRRESPECTIVE OF THE CAUSE OF ACTION, INCLUDING BUT NOT LIMITED TO BREACH OF CONTRACT, NEGLIGENCE, STRICT LIABILITY, TORT, BREACH OF WARRANTY, MISREPRESENTATION OR ANY OTHER LEGAL THEORY AND WILL SURVIVE A FUNDAMENTAL BREACH.
16. **LIMITS ON LIMITATION OF LIABILITY.** Some jurisdictions do not allow for the limitation or exclusion of liability for incidental or consequential damages, so the above limitation or exclusion may not apply to Licensee and Licensee may also have other legal rights which may vary from jurisdiction to jurisdiction.
17. **BASIS OF BARGAIN.** Licensee agrees and acknowledges that Hemisphere has set its prices and the parties have entered into this Agreement in reliance on the limited warranties, warranty disclaimers and limitations of liability set forth herein, that the same reflect an agreed-to allocation of risk between the parties (including the risk that a remedy may fail of its essential purpose and cause consequential loss), and that the same forms an essential basis of the bargain between the parties. Licensee agrees and acknowledges that Hemisphere would not have been able to sell the Product at the amount charged on an economic basis without such limitations.
18. **PROPRIETARY RIGHTS INDEMNITY.** Hemisphere shall indemnify, defend and hold harmless Licensee from and against any and all actions, claims, demands, proceedings, liabilities, direct damages, judgments, settlements, fines, penalties, costs and expenses, including royalties and attorneys' fees and related costs, in connection with or arising out of any actual infringement of any third party patent, copyright or other intellectual property right by the Software or by its use, in accordance with this Agreement and documentation, PROVIDED THAT: (a) Hemisphere has the right to assume full control over any action, claim, demand or proceeding, (b) Licensee shall promptly notify Hemisphere of any such action, claim, demand, or proceeding, and (c) Licensee shall give Hemisphere such reasonable assistance and tangible material as is reasonably available to Licensee for the defense of the action, claim, demand or proceeding. Licensee shall not settle or compromise any of same for which Hemisphere has agreed to assume responsibility without Hemisphere's prior written consent. Licensee may, at its sole cost and expense, retain separate counsel from the counsel utilized or retained by Hemisphere.
19. **INFRINGEMENT.** If use of the Software may be enjoined due to a claim of infringement by a third party then, at its sole discretion and expense, Hemisphere may do one of the following: (a) negotiate a license or other agreement so that the Product is no longer subject to such a potential claim, (b) modify the Product so that it becomes non-infringing, provided such modification can be accomplished without materially affecting the performance and functionality of the Product, (c) replace the Software, or the Product, with non-infringing software, or product, of equal or better performance and quality, or (d) if none of the foregoing can be done on a commercially reasonable basis, terminate this license and Licensee shall stop using the Product and Hemisphere shall refund the price paid by Licensee less an amount on account of amortization, calculated on a straight-line basis over a deemed useful life of three (3) years.  

The foregoing sets out the entire liability of Hemisphere and the sole obligations of Hemisphere to Licensee in respect of any claim that the Software or its use infringes any third party rights.
20. **INDEMNIFICATION.** Except in relation to an infringement action, Licensee shall indemnify and hold Hemisphere harmless from any and all claims, damages, losses, liabilities, costs and expenses (including reasonable fees of lawyers and other professionals) arising out of or in connection with Licensee's use of the Product, whether direct or indirect, including without limiting the foregoing, loss of data, loss of profit or business interruption.

21. **TERMINATION.** Licensee may terminate this Agreement at any time without cause. Hemisphere may terminate this Agreement on 30 days notice to Licensee if Licensee fails to materially comply with each provision of this Agreement unless such default is cured within the 30 days. Any such termination by a party shall be in addition to and without prejudice to such rights and remedies as may be available, including injunction and other equitable remedies. Upon receipt by Licensee of written notice of termination from Hemisphere or termination by Licensee, Licensee shall at the end of any notice period (a) cease using the Software; and (b) return to Hemisphere (or destroy and provide a certificate of a Senior Officer attesting to such destruction) the Software and all related material and any magnetic or optical media provided to Licensee. The provisions of Sections 6, 7, 8, 9, 10, 15, 21, 26 and 27) herein shall survive the expiration or termination of this Agreement for any reason.
22. **EXPORT RESTRICTIONS.** Licensee agrees that Licensee will comply with all export control legislation of Canada, the United States, Australia and any other applicable country's laws and regulations, whether under the Arms Export Control Act, the International Traffic in Arms Regulations, the Export Administration Regulations, the regulations of the United States Departments of Commerce, State, and Treasury, or otherwise as well as the export control legislation of all other countries.
23. **PRODUCT COMPONENTS.** The Product may contain third party components. Those third party components may be subject to additional terms and conditions. Licensee is required to agree to those terms and conditions in order to use the Product.
24. **FORCE MAJEURE EVENT.** Neither party will have the right to claim damages as a result of the other's inability to perform or any delay in performance due to unforeseeable circumstances beyond its reasonable control, such as labor disputes, strikes, lockouts, war, riot, insurrection, epidemic, Internet virus attack, Internet failure, supplier failure, act of God, or governmental action not the fault of the non-performing party.
25. **FORUM FOR DISPUTES.** The parties agree that the courts located in the State of Arizona and the courts of appeal there from will have exclusive jurisdiction to resolve any disputes between Licensee and Hemisphere concerning this Agreement or Licensee's use or inability to use the Software and the parties hereby irrevocably agree to attorn to the jurisdiction of those courts. Notwithstanding the foregoing, either party may apply to any court of competent jurisdiction for injunctive relief.
26. **APPLICABLE LAW.** This Agreement shall be governed by the laws of the State of Arizona, exclusive of any of its choice of law and conflicts of law jurisprudence.
27. **CISG.** The United Nations Convention on Contracts for the International Sale of Goods will not apply to this Agreement or any transaction hereunder.
28. **GENERAL.** This is the entire agreement between Licensee and Hemisphere relating to the Product and Licensee's use of the same, and supersedes all prior, collateral or contemporaneous oral or written representations, warranties or agreements regarding the same. No amendment to or modification of this Agreement will be binding unless in writing and signed by duly authorized representatives of the parties. Any and all terms and conditions set out in any correspondence between the parties or set out in a purchase order which are different from or in addition to the terms and conditions set forth herein, shall have no application and no written notice of same shall be required. In the event that one or more of the provisions of this Agreement is found to be illegal or unenforceable, this Agreement shall not be rendered inoperative but the remaining provisions shall continue in full force and effect.

## Warranty Notice

**COVERED PRODUCTS:** This warranty covers all products manufactured by Hemisphere GNSS and purchased by the end purchaser (the "Products"), unless otherwise specifically and expressly agreed in writing by Hemisphere GNSS.

**LIMITED WARRANTY:** Hemisphere GNSS warrants solely to the end purchaser of the Products, subject to the exclusions and procedures set forth below, that the Products sold to such end purchaser and its internal components shall be free, under normal use and maintenance, from defects in materials, and workmanship and will substantially conform to Hemisphere GNSS' applicable specifications for the Product, for a period of 12 months from delivery of such Product to such end purchaser (the "Warranty Period"). Repairs and replacement components for the Products are warranted, subject to the exclusions and procedures set forth below, to be free, under normal use and maintenance, from defects in material and workmanship, and will substantially conform to Hemisphere GNSS' applicable specifications for the Product, for 90 days from performance or delivery, or for the balance of the original Warranty Period, whichever is greater.

**EXCLUSION OF ALL OTHER WARRANTIES.** The LIMITED WARRANTY shall apply only if the Product is properly and correctly installed, configured, interfaced, maintained, stored, and operated in accordance with Hemisphere GNSS' relevant User's Manual and Specifications, AND the Product is not modified or misused. The Product is provided "AS IS" and the implied warranties of MERCHANTABILITY and FITNESS FOR A PARTICULAR PURPOSE and ALL OTHER WARRANTIES, express, implied or arising by statute, by course of dealing or by trade usage, in connection with the design, sale, installation, service or use of any products or any component thereof, are EXCLUDED from this transaction and shall not apply to the Product. The LIMITED WARRANTY is IN LIEU OF any other warranty, express or implied, including but not limited to, any warranty of MERCHANTABILITY or FITNESS FOR A PARTICULAR PURPOSE, title, and non-infringement.

**LIMITATION OF REMEDIES.** The purchaser's EXCLUSIVE REMEDY against Hemisphere GNSS shall be, at Hemisphere GNSS' option, the repair or replacement of any defective Product or components thereof. The purchaser shall notify Hemisphere GNSS or a Hemisphere GNSS' approved service center immediately of any defect. Repairs shall be made through a Hemisphere GNSS approved service center only. Repair, modification or service of Hemisphere GNSS products by any party other than a Hemisphere GNSS approved service center shall render this warranty null and void. The remedy in this paragraph shall only be applied in the event that the Product is properly and correctly installed, configured, interfaced, maintained, stored, and operated in accordance with Hemisphere GNSS' relevant User's Manual and Specifications, AND the Product is not modified or misused. NO OTHER REMEDY (INCLUDING, BUT NOT LIMITED TO, SPECIAL, INDIRECT, INCIDENTAL, CONSEQUENTIAL OR CONTINGENT DAMAGES FOR LOST PROFITS, LOST SALES, INJURY TO PERSON OR PROPERTY, OR ANY OTHER INCIDENTAL OR CONSEQUENTIAL LOSS) SHALL BE AVAILABLE TO PURCHASER, even if Hemisphere GNSS has been advised of the possibility of such damages. Without limiting the foregoing, Hemisphere GNSS shall not be liable for any damages of any kind resulting from installation, use, quality, performance or accuracy of any Product.

**HEMISPHERE IS NOT RESPONSIBLE FOR PURCHASER'S NEGLIGENCE OR UNAUTHORIZED USES OF THE PRODUCT.** IN NO EVENT SHALL HEMISPHERE GNSS BE IN ANY WAY RESPONSIBLE FOR ANY DAMAGES RESULTING FROM PURCHASER'S OWN NEGLIGENCE, OR FROM OPERATION OF THE PRODUCT IN ANY WAY OTHER THAN AS SPECIFIED IN HEMISPHERE GNSS' RELEVANT USER'S MANUAL AND SPECIFICATIONS. Hemisphere GNSS is NOT RESPONSIBLE for defects or performance problems resulting from (1) misuse, abuse, improper installation, neglect of Product; (2) the utilization of the Product with hardware or software products, information, data, systems, interfaces or devices not made, supplied or specified by Hemisphere GNSS; (3) the operation of the Product under any specification other than, or in addition to, the specifications set forth in Hemisphere GNSS' relevant User's Manual and Specifications; (4) damage caused by accident or natural events, such as lightning (or other electrical discharge) or fresh/salt water immersion of Product; (5) damage occurring in transit; (6) normal wear and tear; or (7) the operation or failure of operation of any satellite-based positioning system or differential correction service; or the availability or performance of any satellite-based positioning signal or differential correction signal.

**THE PURCHASER IS RESPONSIBLE FOR OPERATING THE VEHICLE SAFELY.** The purchaser is solely responsible for the safe operation of the vehicle used in connection with the Product, and for maintaining proper system control settings. UNSAFE DRIVING OR SYSTEM CONTROL SETTINGS CAN RESULT IN PROPERTY DAMAGE, INJURY, OR DEATH. The purchaser is solely responsible for his/her safety and for the safety of others. The purchaser is solely responsible for maintaining control of the automated steering system at all times. THE PURCHASER IS SOLELY RESPONSIBLE FOR ENSURING THE PRODUCT IS PROPERLY AND CORRECTLY INSTALLED, CONFIGURED, INTERFACED, MAINTAINED, STORED, AND OPERATED IN ACCORDANCE WITH HEMISPHERE GNSS' RELEVANT USER'S MANUAL AND SPECIFICATIONS. Hemisphere GNSS does not warrant or guarantee the positioning and navigation precision or accuracy obtained when using Products. Products are not intended for primary navigation or for use in safety of life applications. The potential accuracy of Products as stated in Hemisphere GNSS literature and/or Product specifications serves to provide only an estimate of achievable accuracy based on performance specifications provided by the satellite service operator (i.e. US Department of Defense in the case of GNSS) and differential correction service provider. Hemisphere GNSS reserves the right to modify Products without any obligation to notify, supply or install any improvements or alterations to existing Products.

**GOVERNING LAW.** This agreement and any disputes relating to, concerning or based upon the Product shall be governed by and interpreted in accordance with the laws of the State of Arizona.

**OBTAINING WARRANTY SERVICE.** In order to obtain warranty service, the end purchaser must bring the Product to a Hemisphere GNSS approved service center along with the end purchaser's proof of purchase. Hemisphere GNSS does not warrant claims asserted after the end of the warranty period. For any questions regarding warranty service or to obtain information regarding the location of any of Hemisphere GNSS approved service center, contact Hemisphere GNSS at the following address:

**Hemisphere GNSS**

8444 N. 90th Street, Suite 120

Scottsdale, AZ 85258

Phone: 480-348-6380 Fax: 480-270-5070

techsupport@hemispheregnss.com



Hemisphere GNSS Inc.  
8444 N 90th Street, Suite 120  
Scottsdale, AZ 85258, USA

Phone: +1 480 348 6380.  
Fax: +1 480 270 5070.  
[precision@hemispheregnss.com](mailto:precision@hemispheregnss.com)  
[www.hemispheregnss.com](http://www.hemispheregnss.com)